

# D-SUB PLASTIC HOOD

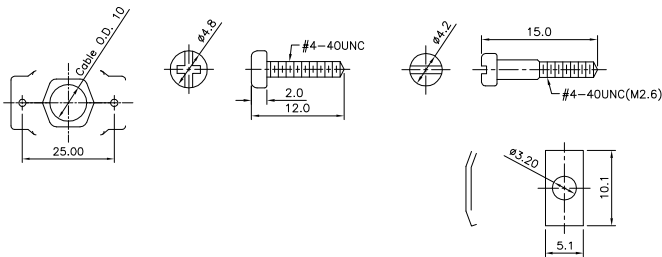
## General Features

- Available in 9(15), 15(26), 25(44), 37(62) and 50(78) ways D-Sub(D-Sub HD)
- Use in D sub 8000, 8001, 8002 and 8003 series and D sub HD 8070, 8071, 8072 and 8073 series
- With different colours (contact sales Office)
- Long and short screw
- Optional: Long screw 8037 series

## Materials

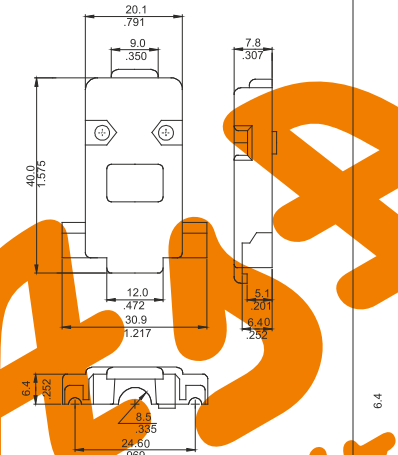
- Insulator: ABS thermoplastic PBT, UL94V-0 rated
- Screwlock : Steel, 100 Nickel Plated
- Operating temperature. -25°C to +85°C
- RoHS compliant

## Dimension Information

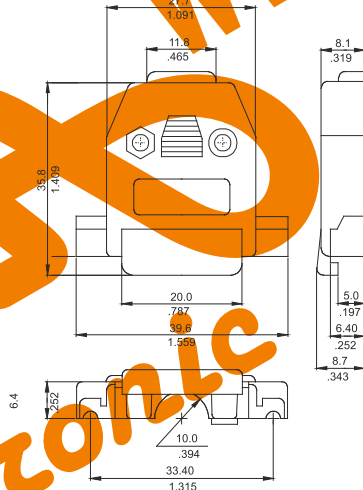


Circuits in D-SUB	Circuits in D-SUB High Density	Short Screw
9	15	2091
15	26	2151
19	-	2191
23	-	2231
25	44	2251
37	62	2371
50	78	2501

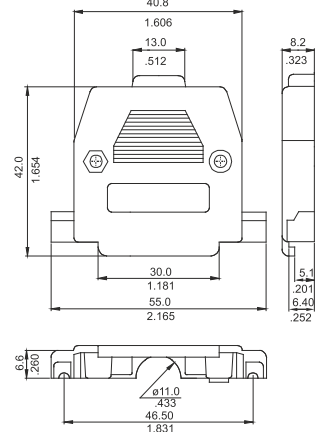
2091



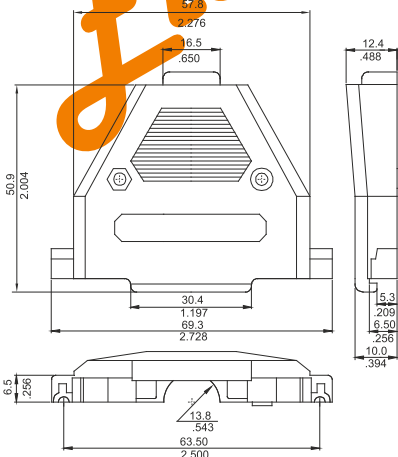
2151



2251



2371



2501

